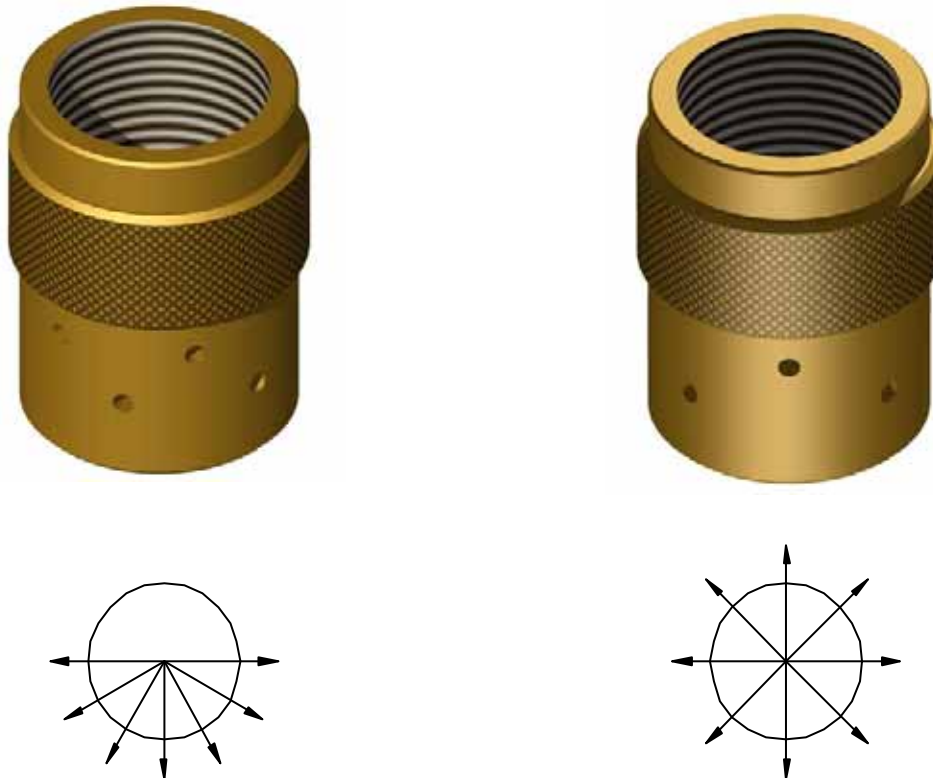


SECTION 2 - SYSTEM COMPONENTS

Discharge Nozzle

FM-200® is distributed within the protected area by the discharge nozzle which is sized to ensure the correct flow of agent for the risk. Nozzles are available with seven or eight ports to allow for 180° or 360° horizontal discharge patterns. Ports are drilled in 0.1 mm (0.004 in) increments to the specified system design. Nozzles are supplied as standard in Brass as BSPP or NPT with Stainless Steel as an option.

Figure 30 - 7 & 8 Port Nozzle Brass Configuration



Technical Information

Material:	Brass / Stainless Steel
Thread Type:	BSPP / NPT
Drill Incrementation:	0.1 mm
Nozzle Type:	8 Port 360° / 7 Port 180°
Max. Distance from Ceiling:	300mm
Max. Agent per Nozzle:	100 kg (220 lbs)
Orientation:	Pendant / Upright

Table 9: Discharge Nozzles

Part Number	Nozzle Size	Nozzle Type	Nozzle Material	Thread Type
310.205.201	10 mm (3/8")	7 Port 180°	Brass	BSPP
310.205.202	10 mm (3/8")	8 Port 360°	Brass	BSPP
310.205.203	15 mm (1/2")	7 Port 180°	Brass	BSPP
310.205.204	15 mm (1/2")	8 Port 360°	Brass	BSPP
310.205.205	20 mm (3/4")	7 Port 180°	Brass	BSPP
310.205.206	20 mm (3/4")	8 Port 360°	Brass	BSPP
310.205.207	25 mm (1")	7 Port 180°	Brass	BSPP
310.205.208	25 mm (1")	8 Port 360°	Brass	BSPP
310.205.209	32 mm (1¼")	7 Port 180°	Brass	BSPP
310.205.210	32 mm (1¼")	8 Port 360°	Brass	BSPP
310.205.211	40 mm (1½")	7 Port 180°	Brass	BSPP
310.205.212	40 mm (1½")	8 Port 360°	Brass	BSPP
310.205.213	50 mm (2")	7 Port 180°	Brass	BSPP
310.205.214	50 mm (2")	8 Port 360°	Brass	BSPP
310.205.215	10 mm (3/8")	7 Port 180°	Brass	NPT
310.205.216	10 mm (3/8")	8 Port 360°	Brass	NPT
310.205.217	15 mm (1/2")	7 Port 180°	Brass	NPT
310.205.218	15 mm (1/2")	8 Port 360°	Brass	NPT
310.205.219	20 mm (3/4")	7 Port 180°	Brass	NPT
310.205.220	20 mm (3/4")	8 Port 360°	Brass	NPT
310.205.221	25 mm (1")	7 Port 180°	Brass	NPT
310.205.222	25 mm (1")	8 Port 360°	Brass	NPT
310.205.223	32 mm (1¼")	7 Port 180°	Brass	NPT
310.205.224	32 mm (1¼")	8 Port 360°	Brass	NPT
310.205.225	40 mm (1½")	7 Port 180°	Brass	NPT
310.205.226	40 mm (1½")	8 Port 360°	Brass	NPT
310.205.227	50 mm (2")	7 Port 180°	Brass	NPT
310.205.228	50 mm (2")	8 Port 360°	Brass	NPT

Part Number	Nozzle Size	Nozzle Type	Nozzle Material	Thread Type
310.205.301	10 mm (3/8")	7 Port 180°	Stainless	BSPP
310.205.302	10 mm (3/8")	8 Port 360°	Stainless	BSPP
310.205.303	15 mm (1/2")	7 Port 180°	Stainless	BSPP
310.205.304	15 mm (1/2")	8 Port 360°	Stainless	BSPP
310.205.305	20 mm (3/4")	7 Port 180°	Stainless	BSPP
310.205.306	20 mm (3/4")	8 Port 360°	Stainless	BSPP
310.205.307	25 mm (1")	7 Port 180°	Stainless	BSPP
310.205.308	25 mm (1")	8 Port 360°	Stainless	BSPP
310.205.309	32 mm (1¼")	7 Port 180°	Stainless	BSPP
310.205.310	32 mm (1¼")	8 Port 360°	Stainless	BSPP
310.205.311	40 mm (1½")	7 Port 180°	Stainless	BSPP
310.205.312	40 mm (1½")	8 Port 360°	Stainless	BSPP
310.205.313	50 mm (2")	7 Port 180°	Stainless	BSPP
310.205.314	50 mm (2")	8 Port 360°	Stainless	BSPP
310.205.315	10 mm (3/8")	7 Port 180°	Stainless	NPT
310.205.316	10 mm (3/8")	8 Port 360°	Stainless	NPT
310.205.317	15 mm (1/2")	7 Port 180°	Stainless	NPT
310.205.318	15 mm (1/2")	8 Port 360°	Stainless	NPT
310.205.319	20 mm (3/4")	7 Port 180°	Stainless	NPT
310.205.320	20 mm (3/4")	8 Port 360°	Stainless	NPT
310.205.321	25 mm (1")	7 Port 180°	Stainless	NPT
310.205.322	25 mm (1")	8 Port 360°	Stainless	NPT
310.205.323	32 mm (1¼")	7 Port 180°	Stainless	NPT
310.205.324	32 mm (1¼")	8 Port 360°	Stainless	NPT
310.205.325	40 mm (1½")	7 Port 180°	Stainless	NPT
310.205.326	40 mm (1½")	8 Port 360°	Stainless	NPT
310.205.327	50 mm (2")	7 Port 180°	Stainless	NPT
310.205.328	50 mm (2")	8 Port 360°	Stainless	NPT

Nozzle Weights

Nozzle Size	Brass	Stainless Steel
10 mm (3/8")	0.10 kg (0.22 lbs)	0.09 kg (0.20 lbs)
15 mm (1/2")	0.15 kg (0.33 lbs)	0.14 kg (0.31 lbs)
20 mm (3/4")	0.21kg (0.46 lbs)	0.20 kg (0.44 lbs)
25 mm (1")	0.27 kg (0.60 lbs)	0.25 kg (0.55 lbs)
32 mm (1¼")	0.41 kg (0.90 lbs)	0.38 kg (0.84 lbs)
40 mm (1½")	0.46 kg (1.01 lbs)	0.43 kg (0.95 lbs)
50 mm (2")	0.83kg (1.83 lbs)	0.78 kg (1.72 lbs)

Nozzle Overall Sizes

Nozzle Size	Length	Diameter
10 mm (3/8")	33.5 mm (1.32")	25 mm (0.98")
15 mm (1/2")	41 mm (1.61")	29 mm (1.14")
20 mm (3/4")	47 mm (1.85")	34.5 mm (1.36")
25 mm (1")	52 mm (2.05")	41.3 mm (1.63")
32 mm (1¼")	62 mm (2.44")	50 mm (1.97")
40 mm (1½")	68 mm (2.68")	60 mm (2.36")
50 mm (2")	89 mm (3.50")	76 mm (2.99")